

Tersus GNSS AX4E03 Aviation Antenna

Overview

The AX4E03 GNSS antenna is a high precision compact GNSS antenna for aviation, which is capable of receiving signals from GPS, GLONASS, GALILEO, BeiDou, QZSS, IRNSS and SBAS. The ability to receive low elevation signals with high gain and wide beam width makes AX4E03 a suitable choice for tracking visible satellites and provide stable and precision GNSS data under different flight attitudes.

Key Features

- ✓ Supports multiple constellations and frequencies
 - GPS L1, L2, L5, L-Bnad
 - GLONASS L1, L2, L3
 - BeiDou B1, B2, B3
 - Galileo E1, E5a, E5b, E6
 - QZSS L1, L2, L5, L6
 - IRNSS L5
 - SBAS L1, L5
- ✓ Stable phase center guarantees the accuracy of positioning within millimeter-level
- ✓ Strong anti-interference ability to endure the challenging operating environments
- ✓ Small form factor with IP67 ruggedized structure



Tersus GNSS AX4E03 Aviation Antenna

Technical Specifications

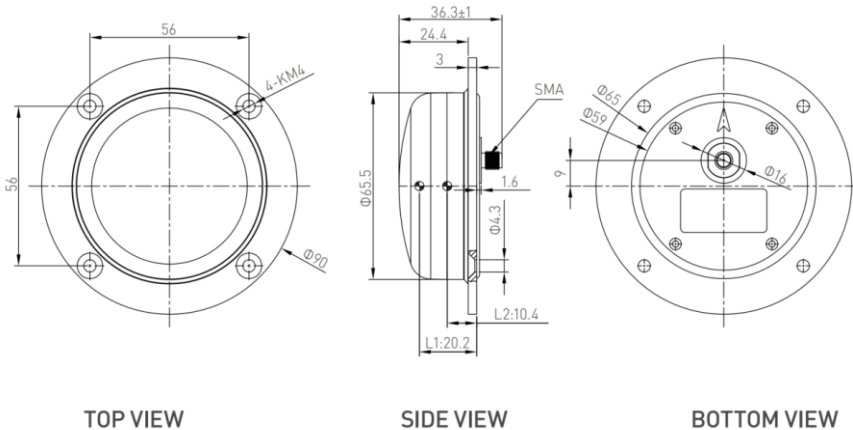
Performance

Signal Tracking:	
GPS L1, L2, L5, L-Band; Galileo E1, E5a, E5b, E6; SBAS L1, L5;	GLONASS L1, L2, L3; BDS B1, B2, B3; QZSS L1, L2, L5, L6; IRNSS L5;
Nominal Impedance:	50Ω
Polarization:	RHCP
Axial Ratio:	≤3dB
Gain at Zenith(90°): 1164-1300MHz 1525-1615MHz	3dBi(maximum) 4dBi(maximum)

Mechanical

Size:	φ 90x27.5mm
Connector:	SMA Female
Weight:	≤150g
Mounting:	4 M4 Screws Installation

Structure Overview



Undeclared tolerance:±0.3mm

LNA

LNA Gain:	36dB (Typical)
Noise Figure:	≤2dB
Output/Input VSWR:	≤2.0
Operation Voltage:	3.3V~12V DC
Operation Current:	≤ 55mA
Group Delay Ripple:	< 5ns

Environmental

Operating Temperature:	-40°C ~ +85°C
Storage Temperature:	-55°C ~ +85°C
Humidity:	95% not condensing
Dust- & Waterproof:	IP67

Website: www.tersus-gnss.com
Sales Inquiry: sales@tersus-gnss.com
Technical Support: support@tersus-gnss.com

Information is subject to change without notice.
 © Copyright 2023 Tersus GNSS Inc.